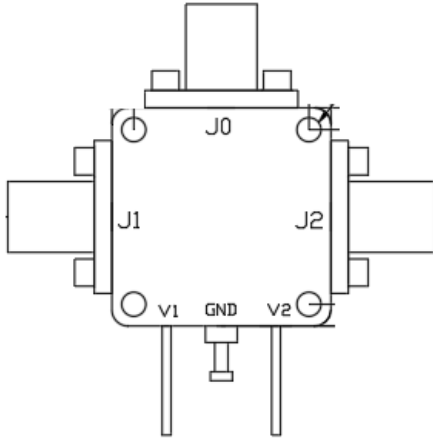


9kHz-60GHz SPDT Switch



Description:

AT-SPDT-0060E is a MMIC Based SPDT (Single pole double throw) switch covering 9kHz-60GHz. This module offers a low insertion loss of -3 dB with typical isolation of -35dB.

It also has good return loss from 9kHz-60GHz band in both ON and OFF state. The input and output connectors are 1.85mm Female. DC Block AT-DC-18M18F required if RF Line is not equal to 0V DC.

More information, visit www.atmicrowave.com

Feature

- ✓ Frequency: 9kHz-60GHz
- ✓ Insertion Loss, -3 dB
- ✓ High isolation: -35dB
- ✓ Very fast speed

Application

- ✓ Test Equipment
- ✓ ROF (RF Over Fiber)
- ✓ Radar System
- ✓ Telecom Communication

Electronical Specifications:

Parameter	Min	Typical	Max
Frequency(Note1)		9kHz-60GHz	
Insertion Loss		10MHz-26.5GHz: -2dB 26.5-50GHz: -4dB	-3dB -6dB
Isolation	-25	-35 dB	
Switching Time, Estimated		100ns	
Return Loss		-10dB	
Control Voltage		+/-3V	
P1dB		10MHz-50GHz: +23dBm	
Power Consumption		0mW	
Spec Temp		25C	





AT-SPDT-0060E

9kHz-60GHz SPDT Switch

Mechanical Information

Item	Description
Input Port	1.85mm Female
Output Port	1.85mm Female
Case Material	Copper
Package Sealing	Epoxy Sealed
Finish	Gold Plated
Weight (Without Heatsink)	50g
Size:	20x20x12 mm

Absolute Maximum Ratings Table

Parameter	Value
Control Voltage	+/-3.5V
RF Input Power	+25dBm
Operating Temperature	-40 to +85C
Storage Temperature	-65 to +150C

Truth Table

State	V1	V2	RF1	RF2
1	-3V	-3V	OFF	OFF
2	-3V	+3V	OFF	ON
3	+3V	-3V	ON	OFF
4	+3V	+3V	ON	ON

Notes:

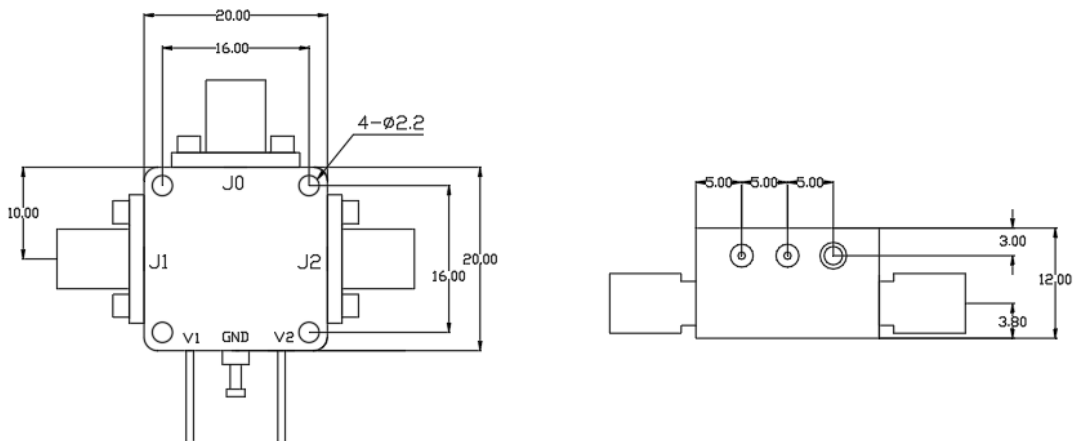
1. Datasheet may be changed according to update of MMIC, Raw materials , process, and so on.
2. This data is only for reference, not for guaranteed specifications.
3. Please contact AT Microwave team to make sure you have the most current data.



Port Functions

Port	Function	Description
Port 1	Input Port	This Pin is dc-coupled to 0V and AC Matched to 50Ohms. No dc block is necessary when RF line is equal to 0V DC. DC block AT-DC-29M29F (50kHz-40GHz) required RF line is not equal to 0V.
Port 2	Output Port	This Pin is dc-coupled to 0V and AC Matched to 50Ohms. No dc block is necessary when RF line is equal to 0V DC. DC block AT-DC-29M29F (50kHz-40GHz) required RF line is not equal to 0V.

Dimension (mm)



In millimetres
with 1.85mm female connector

